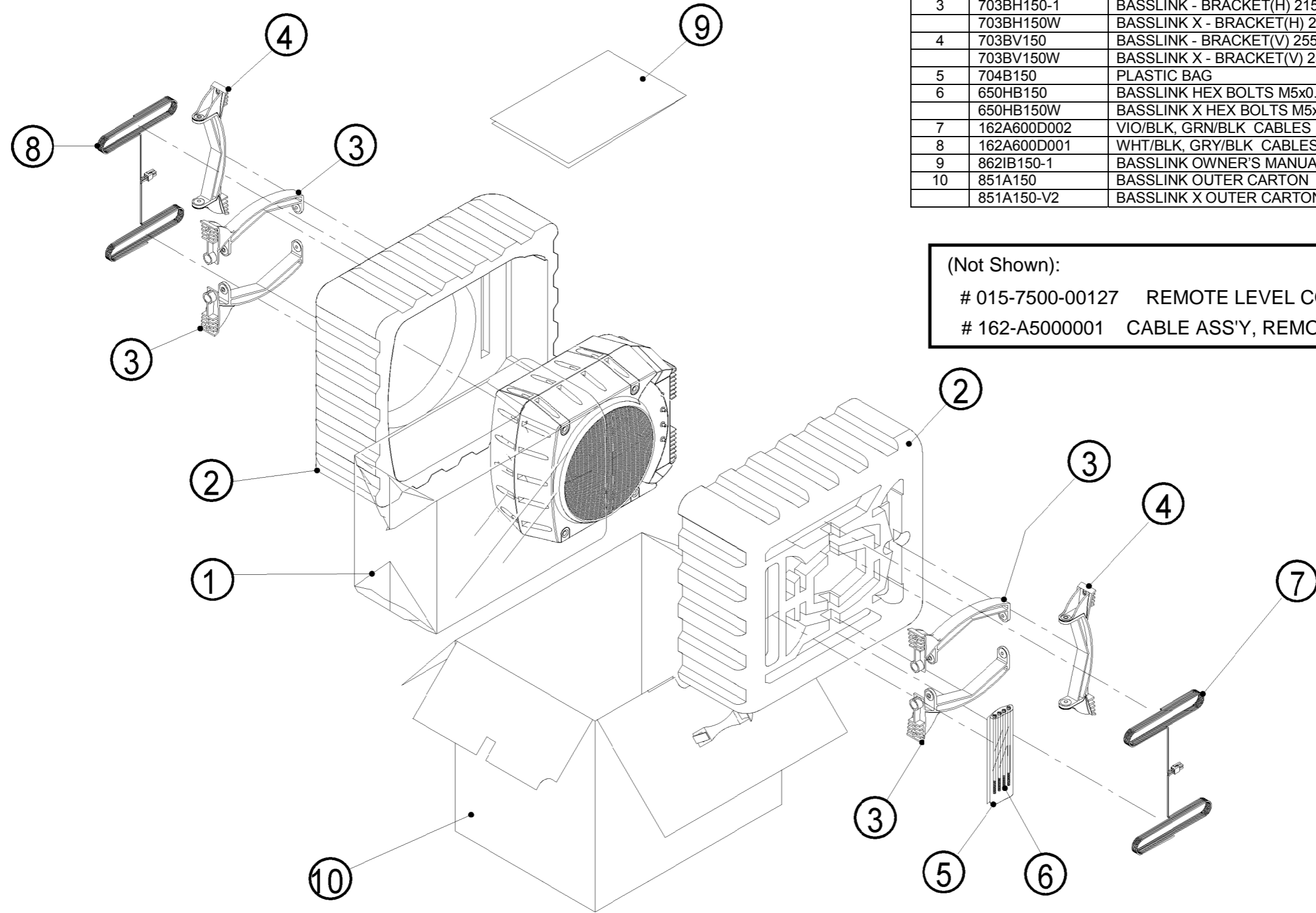


BASSLINK (W/REMOTE LEVEL CONTROL) BASSLINK X PACKAGING



| Ref# | Part# | Description | Qty |
|------|-------------|--|-----|
| 1 | 704A150 | PLASTIC BAG | 1 |
| 2 | 706SB150 | BASSLINK FOAM ENDS | 2 |
| 3 | 703BH150-1 | BASSLINK - BRACKET(H) 215.7*81*33*5T (BLACK) | 4 |
| | 703BH150W | BASSLINK X - BRACKET(H) 215.7*81*33*5T (WHITE) | 4 |
| 4 | 703BV150 | BASSLINK - BRACKET(V) 255*64.5*33*5T (BLACK) | 2 |
| | 703BV150W | BASSLINK X - BRACKET(V) 255*64.5*33*5T (WHITE) | 2 |
| 5 | 704B150 | PLASTIC BAG | 1 |
| 6 | 650HB150 | BASSLINK HEX BOLTS M5x0.8P x 180L | 4 |
| | 650HB150W | BASSLINK X HEX BOLTS M5x0.8P x 180L | |
| 7 | 162A600D002 | VIO/BLK, GRN/BLK CABLES | 1 |
| 8 | 162A600D001 | WHT/BLK, GRY/BLK CABLES | 1 |
| 9 | 862IB150-1 | BASSLINK OWNER'S MANUAL | 1 |
| 10 | 851A150 | BASSLINK OUTER CARTON | 1 |
| | 851A150-V2 | BASSLINK X OUTER CARTON | 1 |

(Not Shown):
 # 015-7500-00127 REMOTE LEVEL CONTROL
 # 162-A5000001 CABLE ASS'Y, REMOTE LEVEL CONTROL